



NESSCAP® Ultracapacitor Products

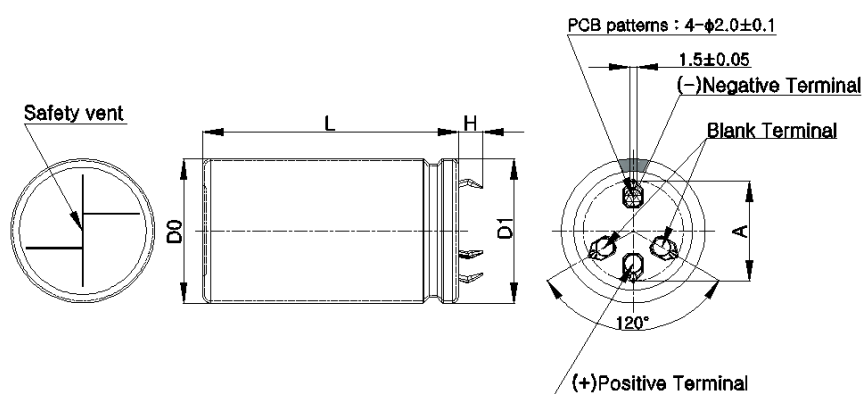
Dimension

EDLC(Electric Double Layer Capacitor)
 Four snap-in terminals and radial design
 Compliant with RoHS requirement (Ex : Cd, Pb)



Dimension

Dimension in mm (not to scale)



Capacitance	Dimension (mm)				
	D0 (+0.3)	D1 (+0.3)	L (+0.5)	H (+0.2)	A (\pm 0.1)
400F	35	35	60.9	5.0	22.5

Product & Spec.

Rated Capacitance	Internal Resistance (m Ω)		Max. Current (A)	Leakage Current (mA)	Stored Energy (Wh)	Specific Energy (Wh/kg)	Weight (g)	Part Number
	AC(100Hz)	DC	1 sec discharge rate to 1/2V _R	72hours, 25°C	at V _R	Gravimetric		
400F	< 3.2	< 3.2	237	1.07	0.405	6.23	65.0	ESHSR-0400C0-002R7

Rated Voltage, V _R	2.7 V	
Surge Voltage	2.85 V	
Capacitance Tolerance	-10% / +10%	
Operating Temperature Range	-40 ~ 65 °C	Δ C < 5% and Δ ESR < 0.5 times of initially measured value at 25°C, respectively
Storage Temperature Range	-40 ~ 70 °C	
Life Time at RT ⁽¹⁾	10 years	(1) Δ C < 30% and Δ ESR < 1 times of initially measured value , respectively and LC < specified value
Cycle Life (25°C) ⁽¹⁾⁽²⁾	500,000 cycles	(2) Cycle : between rated voltage and half rated voltage under constant current at 25°C

* Life time is provisional value

© NESSCAP 2008. All Rights reserved. Design, Specifications are subjected to change without notice.